

AXLE CATALOGUE

Issued September 2022

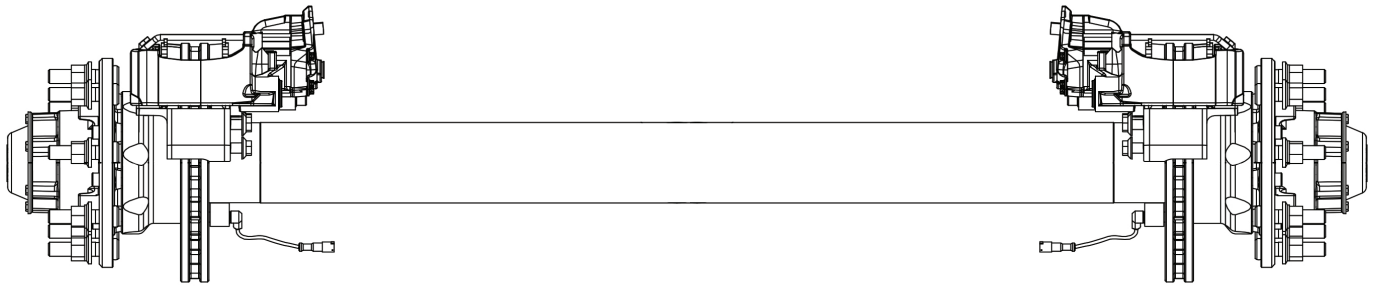
AXLES

CONTENTS

FIXED DISC	Pg 3
STEERING DISC	Pg 3
FIXED DRUM	Pg 4
STEERING DRUM	Pg 4
AXLE HUBS & SPARES	Pg 5
AXLES SPARES & HUB CAP SPARES	Pg 6
HUB CAPS & BEARINGS	Pg 7

AXLES

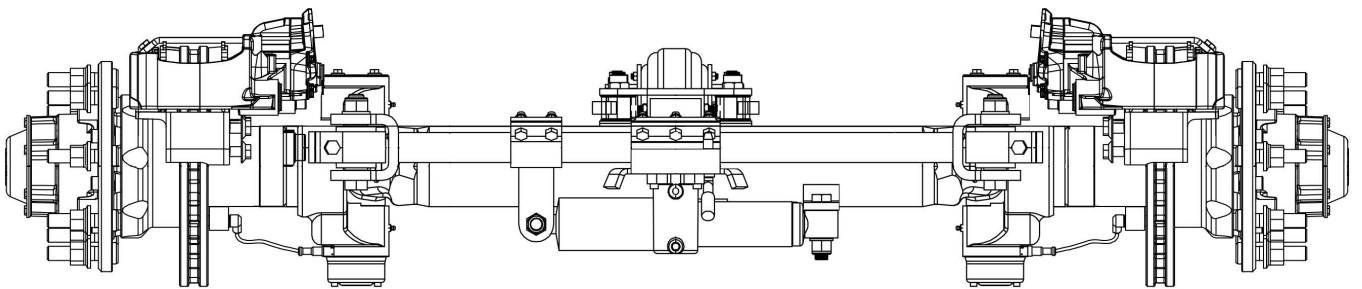
FIXED DISC AXLES



Code	Inch	Track
53845	19.5"	1850mm
53850	22.5"	1850mm
53855	22.5"	2040mm

AXLES

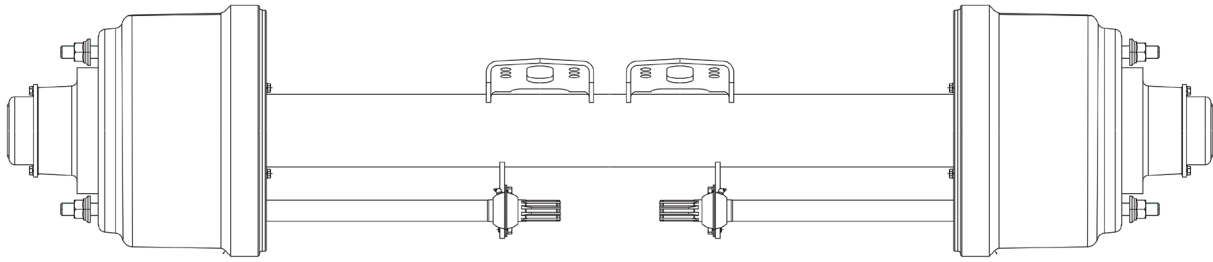
STEERING DISC AXLES



Code	Inch	Track
53846	19.5"	1850mm
53847	19.5"	2040mm

AXLES

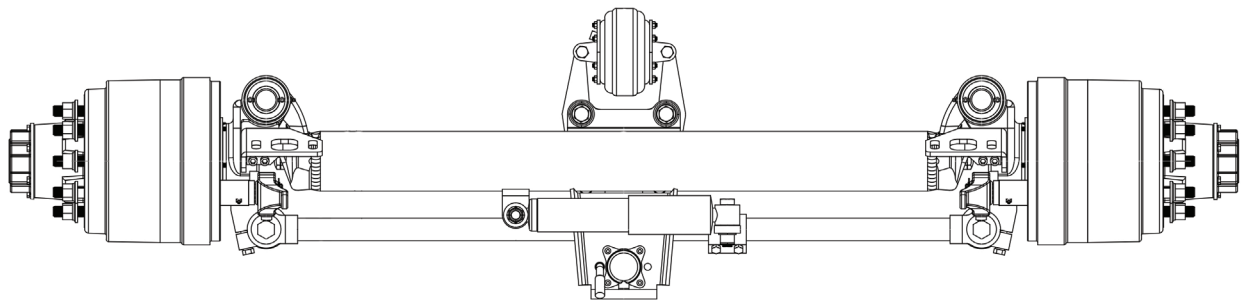
FIXED DRUM AXLES



Code	Brand	Fixed Type	Inch	Track
50345	MTW	Fixed Outboard	17.5"	2315mm
50300-MTW	MTW	Fixed Artillery	17.5"	1850mm
050370	MTW	Fixed Outboard	17.5"	2249mm
53750	MTW	Fixed Outboard	17.5"	2249mm
50358	MTW	Fixed Outboard	17.5"	1754mm
50350	MTW	Fixed Outboard	17.5"	2120mm
50348	MTW	Fixed Outboard	17.5"	1988mm
50351-MTE	MTW	Fixed Outboard	17.5"	1900mm
050344	MTW	Fixed Outboard	17.5"	1815mm
50342-MTE	MTW	Fixed Outboard	17.5"	1815mm
50336	K-Hitch	Fixed Outboard	19.5"	1850mm
50343	MTW	Fixed Outboard	19.5"	1815mm
50359		Fixed Outboard	19.5"	2312mm
050328	K-Hitch	Spoke	20" or 22.5"	1850mm
50396	K-Hitch	Fixed Artillery	22.5"	1850mm
50330	K-Hitch	Fixed Outboard	22.5"	1820mm
50322-MTW	MTW	Fixed Outboard	22.5"	1855mm
50338-MTW	MTW	Fixed Outboard	22.5"	2045mm

AXLES

STEERING DRUM AXLES



Code	Brand	Fixed Type	Inch	Track
51000	MTW	Steering Outboard	17.5"	1815mm
51006	MTW	Steering Outboard	17.5"	1815mm
51005	MTW	Steering Outboard	17.5"	2120mm
51007	MTW	Steering Outboard	17.5"	2323mm
51010	MTW	Steering Outboard	19.5"	1815mm
51015	MTW	Steering Outboard	19.5"	2315mm

AXLES

AXLE HUBS & SPARES



K-HITCH 22.5" HUB #60019

Suits KF22 & KF29 drum brake axle.
Use with HM518445 roller bearings.



MTE 17.5" AXLE HUB #62553

MTE common low loader hub. Also on
Spicer / K-Hitch / Hendrickson. Suits
outboard drums MTE214 / DT214.



**MTW HUB & DRUMS ASSEMBLY
#62212**



ROR LOW LOADER HUB #60250

Includes hub cap gasket, wheel
bearings packed with HP grease and
hub seal.



E-957 BRAKE SPIDER #60633



**MERITOR AIR DISC BRAKE
SHAFT REPLACEMENT KIT
LH #80172**



**MERITOR AIR DISC BRAKE
SHAFT REPLACEMENT KIT
RH #80171**



**MTE 5 TON AXLE CASTLE NUT
#270241**



**MTW 90' EBS/ABS SENSOR &
BUSH KIT #050395**

AXLES

AXLE SPARES & HUB CAP SPARES



ROR SELF STEER AXLE KINGPIN BUSHES

#61708

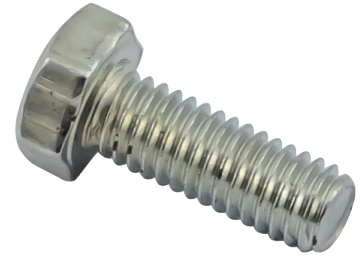
21212413

#61707

21212456



SIRCO AXLE NUT SOCKET - 8 POINT 3-3/4" #60085



MTE HUB CAP BOLT M6 #130253



STEMCO HUB CAP WINDOW KIT KA65W #60945

AXLES

HUB CAPS AND BEARINGS



KH330-3009 / H15-0102 OIL FILLED HUB CAP & GASKET #60231

Suits K-Hitch KF22AG14, KF22AG15 and KF22AG16



MTE ALLOY HUB CAP #60235
Fits Standard MTE/MTW Axle Hubs.



STEMCO 343-4009 HUB CAP #60969



UNIVERSAL HUB CAP PLUG #9015V



FEMALE ROD END 5/8" UNF - 1/2 BALL HOLE XFR8-10 #100034



SPHERICAL BEARINGS

#100023	GE50ES2RS
#100043	GE60ES-2RS
#100011	GE70ES
#100012	GE70LO
#100025	GEH70ES-2RS
#100014	GEZ108ES



APER ROLLER BEARINGS

#62607	HM212049 Koyo
#60268	HM212049/11 Taper
#62601	HM212049/11 Taper
#62609	HM218210 Bower
#62002	HM212049 Timken
#62600	HM218248/10 Taper
#62000	HM218248NG Timken
#60092	HM218210 Taper
#60103	HM515714 Taper
#60114	HM518445/410 Taper



Mikes Transport Warehouse

07 850 8333

mtwadmin@modtrans.co.nz

www.mtw.net.nz

6624 Te Rapa Rd, Te Rapa Park, Hamilton