

COMEUP WINCHES CATALOGUE

Current as of June 2022

COMEUP WINCHES

CONTENTS

CUB SERIES

CUB 2 Pg 2

CUB 3 Pg 3

DV SERIES

DV-12 Pg 5

DV-15 Pg 6

BISON SERIES

Bison 20 - Short Drum Pg 7

Bison 20 - Long Drum Pg 8

Bison 30 Pg 9

Bison 50 Pg 10

HV SERIES

HV 10 Pg 11

HV 15 Pg 12

COME UP WINCH

Accessories Pg 13



COMEUP Winches are equipped with a heavy-duty motor, delivering **superior torque** output and **faster line speed** for serve duty, self-recovery or utility duty applications.

COMEUP winches come with **CBS (Cone Brake Structure)** that completely holds in full load and is easily maintained.

Explore and experience the quality on COMEUP Winches where are the **best solution** for Trucks and SUV's. They give you **power whenever and wherever you need it!**

CUB Series

CUB 2

FEATURES

- High efficiency, low amp draw and sealed permanent magnet motor
- Mechanical load holding and dynamic brake for 100% braking
- Cam activated clutch for rapid wire rope payout
- Full metal 3 stage planetary gear train for greater pulling force



SPECIFICATIONS

Rated line pull	907 kg (2,000 lb) single line
Motor	600 w / 0.8 hp 12V permanent magnet
Gear train & ratio	3-stage planetary 103:1
Clutch (freespooling)	Cam activated
Brake (outside the drum)	Mechanical spring applied and dynamic brakes
Winch construction	Aluminum die cast drum and steel plate housings
Drum size	38 x 75 mm (1.5" x 3")
Control	Handlebar rocker switch
Rope	Galvanized aircraft A7 x 19
Rope size	4 mm x 15.2 m (5/32" x 50')
Mounting bolts pattern	76 x 124 mm (3" x 4.9")
Winch weight (incl rope)	6.5 kg / 14.3 lb

PERFORMANCE DATA

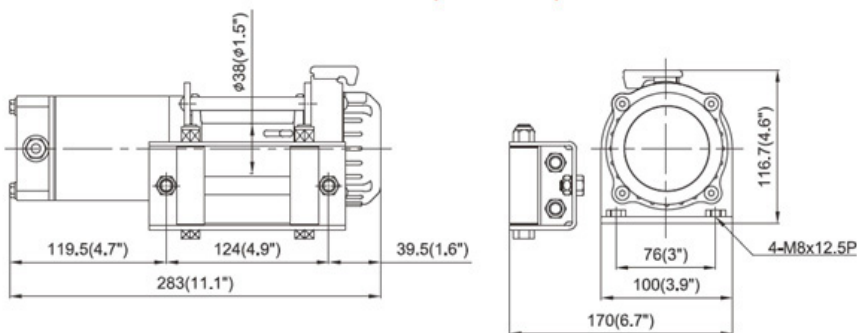
LINE PULL AND ROPE CAPACITY

Layer of Rope	Pull By Layer (kg)	Total rope on the drum (m)
1st	907	2.4
2nd	762	5.3
3rd	657	8.6
4th	577	12.4
5th	515	15.2

LINE SPEED AND AMP. DRAW

(1st layer of rope on the drum)

Line Pull (kg)	Line Speed (mpm)	Amp Draw (A)
No Load	6.1	20
302	4.6	50
605	3.1	100
907	2.0	150



CUB Series

CUB 3

FEATURES

- High efficiency, low amp draw and sealed permanent magnet motor
- Mechanical load holding and dynamic brake for 100% braking
- Cam activated clutch for rapid wire rope payout
- Full metal 3 stage planetary gear train for greater pulling force



SPECIFICATIONS

Rated line pull	1,361 kg (3,000 lb) single line
Motor	800 w / 1.0 hp 12V permanent magnet
Gear train & ratio	3-stage planetary 138.5:1
Clutch (freespooling)	Sliding pin and ring gear
Brake (outside the drum)	Mechanical & dynamic
Winch construction	Aluminum die cast housings and drum
Drum size	55 x 75 mm (2.2" x 3")
Control	Handlebar rocker switch
Rope	Galvanized aircraft A7 x 19
Rope size	4.8 mm x 15.2 m (3/16" x 50')
Mounting bolts pattern	76 x 124 mm (3" x 4.9")
Winch weight (incl rope)	8.2 kg / 18 lb

PERFORMANCE DATA

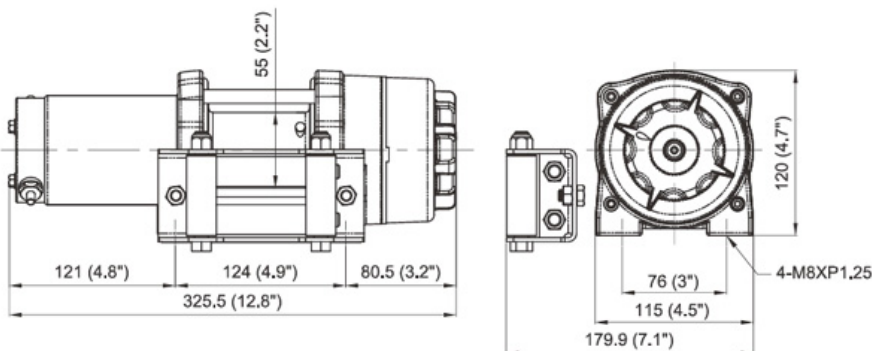
LINE PULL AND ROPE CAPACITY

Layer of Rope	Pull By Layer (kg)	Total rope on the drum (m)
1st	1361	2.6
2nd	1173	6.1
3rd	1030	9.9
4th	918	14.1
5th	829	15.2

LINE SPEED AND AMP. DRAW

(1st layer of rope on the drum)

Line Pull (kg)	Line Speed (mpm)	Amp Draw (A)
No Load	6.8	25
227	5.7	45
454	4.8	75
680	3.8	105
907	3.0	140
1134	2.5	180
1361	2.0	230



CUB Series

CUB 4

FEATURES

- High efficiency, low amp draw and sealed permanent magnet motor
- Mechanical load holding and dynamic brake for 100% braking
- Cam activated clutch for rapid wire rope payout
- Full metal 3 stage planetary gear train for greater pulling force



SPECIFICATIONS

Rated line pull	1,814 kg (4,000 lb) single line
Motor	800 w / 1.0 hp 12V permanent magnet
Gear train & ratio	3-stage planetary 191:1
Clutch (freespooling)	Sliding pin and ring gear
Brake (outside the drum)	Mechanical & dynamic
Winch construction	Aluminum die cast housings and drum
Drum size	55 x 119 mm (2.2" x 4.7")
Control	Handlebar rocker switch
Rope	Galvanized aircraft A7 x 19
Rope size	5.5 mm x 15.2 m (7/32" x 50')
Mounting bolts pattern	76 x 168 mm (3" x 6.6")
Winch weight (incl rope)	8.9 kg / 19.6 lb

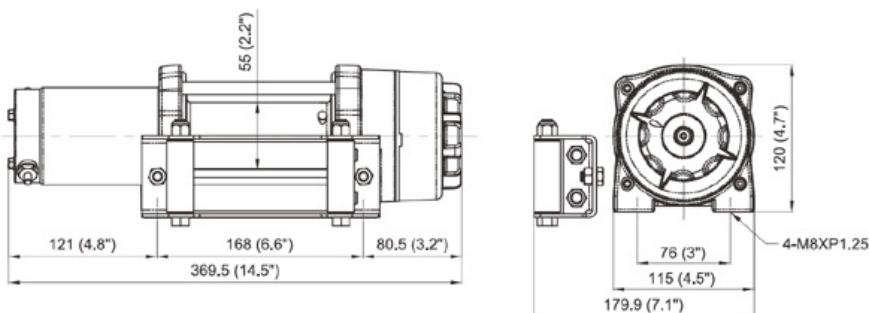
PERFORMANCE DATA

LINE PULL AND ROPE CAPACITY

Layer of Rope	Pull By Layer (kg)	Total rope on the drum (m)
1st	1814	4.0
2nd	1535	8.8
3rd	1331	14.2
4th	1174	15.2

LINE SPEED AND AMP. DRAW (1st layer of rope on the drum)

Line Pull (kg)	Line Speed (mpm)	Amp Draw (A)
No Load	6.0	15
227	3.9	45
454	3.4	70
680	3.1	90
907	2.9	120
1134	2.7	150
1361	2.4	180
1588	2.2	210
1814	2.0	230

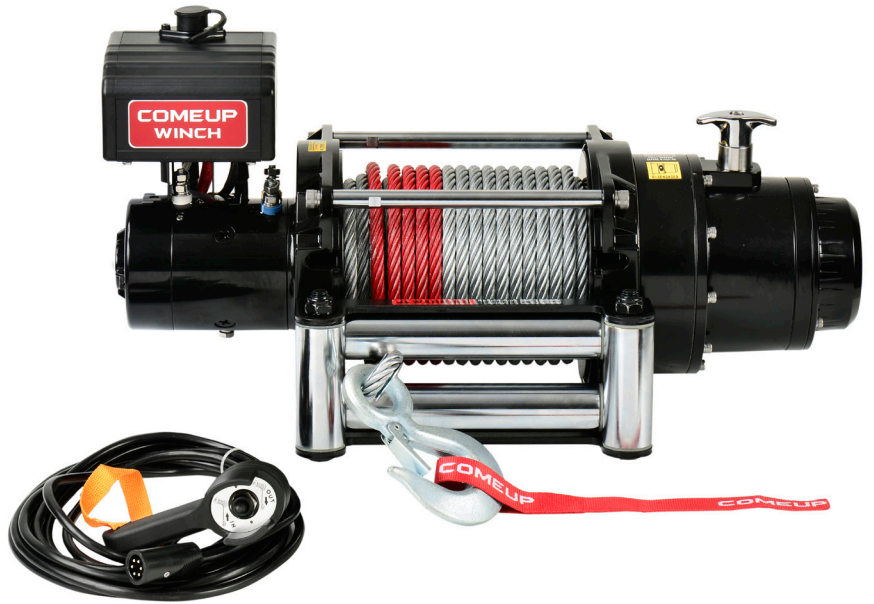


DV Series

DV-12

FEATURES

- 3 stage planetary gearbox delivers the most reliable and durable performance of winch under the rugged conditions.
- All sealed high performance motor supplies superior torque output and faster line speed.
- Heavy duty sealed contactor ensures sound waterproof protection.
- Turn clutch by ergonomic T-handle for rapid rope payout.



SPECIFICATIONS

Rated line pull	5,443 kg / 12,000 lb single line
Motor	12V = 4,180 w / 5.6 hp 12V series wound 24V = 2,690 w / 3.6 hp 24V series wound
Gear train & ratio	3-stage planetary 261:1
Clutch (freespooling)	Rotating ring gear
Brake (outside the drum)	Automatic, full load CBS (Cone Brake Structure)
Winch construction	Aluminum die cast housings with steel drum
Drum size	89 x 206 mm (3.5" x 8.1")
Control	Waterproof remote with thermometric indicator LED w/ 5 m (17') cord
Rope	Galvanized aircraft A7 x 19
Rope size	9.5 mm x 38 m (3/8" x 125')
Mounting bolts pattern	254 x 114 mm (10" x 4.5") 254 x 165 mm (10" x 6.5")
Winch weight (incl rope)	55 kg / 121 lb
Gross weight	67 kg / 147.7 lb
Box dimension (L x D x H)	694 x 265.2 x 418.4 mm (27.3" x 10.4" x 16.5")

PERFORMANCE DATA

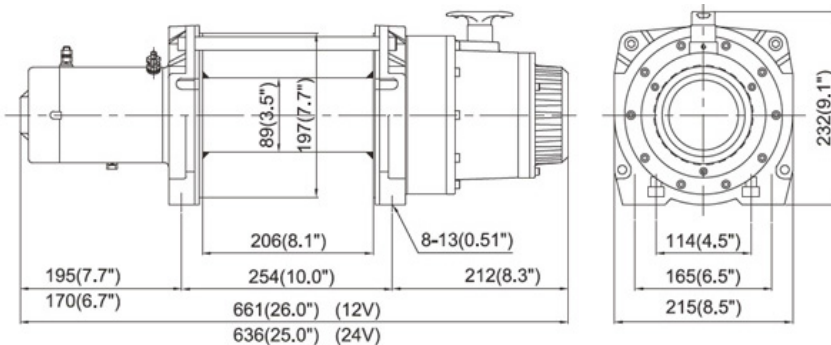
LINE PULL AND ROPE CAPACITY

Layer of Rope	Pull By Layer (kg)	Total rope on the drum (m)
1st	5443	6.6
2nd	4563	14.4
3rd	3928	23.5
4th	3448	33.8
5th	3072	38

LINE SPEED AND AMP. DRAW

(1st layer of rope on the drum)

Line Pull (kg)	Line Speed (mpm)	Amp Draw (A) 12V/24V
No Load	8.3	60/50
1814	2.6	200/100
3629	1.7	310/190
4536	1.4	370/230
5443	1.2	440/290

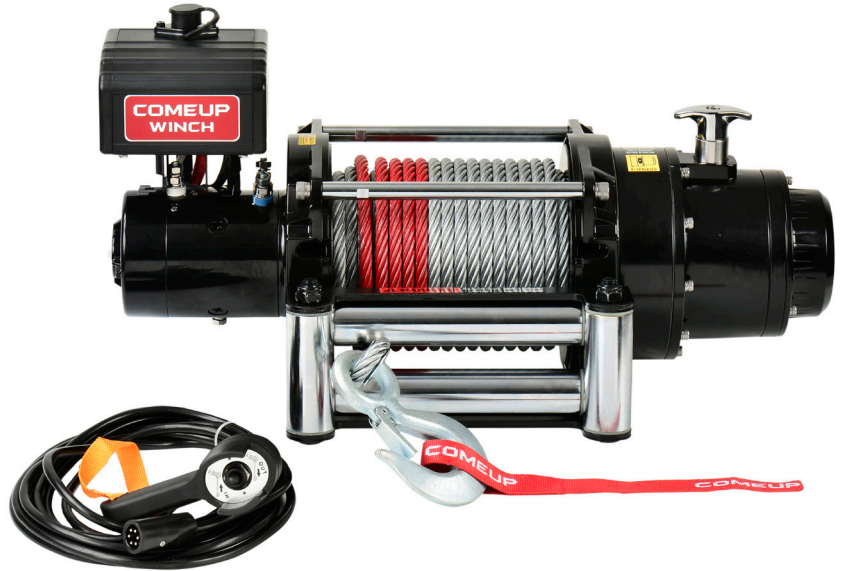


DV Series

DV-15

FEATURES

- 3 stage planetary gearbox delivers the most reliable and durable performance of winch under the rugged conditions.
- All sealed high performance motor supplies superior torque output and faster line speed.
- Heavy duty sealed contactor ensures sound waterproof protection.
- Turn clutch by ergonomic T-handle for rapid rope payout.



SPECIFICATIONS

Rated line pull	6,804 kg / 15,000 lb single line
Motor	12V = 4,180 w / 5.6 hp 12V series wound 24v = 2,690 w / 3.6 hp 24V series wound
Gear train & ratio	3-stage planetary 315:1
Clutch (freespooling)	Rotating ring gear
Brake (outside the drum)	Automatic, full load CBS (Cone Brake Structure)
Winch construction	Aluminum die cast housings with steel drum
Drum size	89 x 206 mm (3.5" x 8.1")
Control	Waterproof remote with thermometric indicator LED w/ 5 m (17') cord
Rope	6 x 29 - IWRC
Rope size	11.1 mm x 27 m (7/16" x 89") 254 x 165 mm (10" x 6.5")
Mounting bolts pattern	254 x 114 mm (10" x 4.5") 254 x 165 mm (10" x 6.5")
Winch weight (incl rope)	57 kg / 125.4 lb

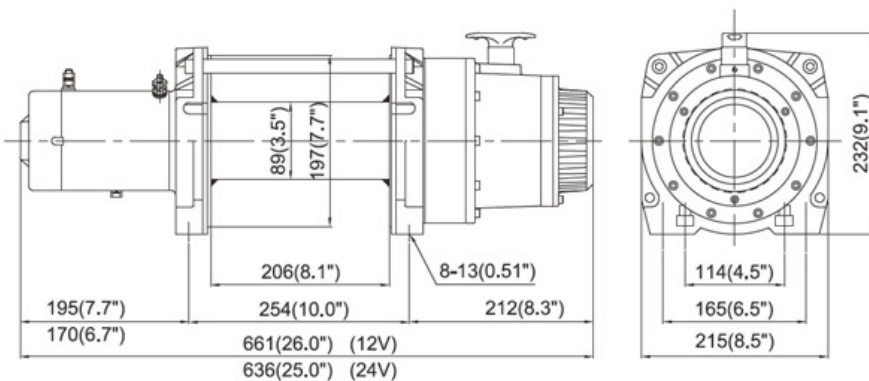
PERFORMANCE DATA

LINE PULL AND ROPE CAPACITY

Layer of Rope	Pull By Layer (kg)	Total rope on the drum (m)
1st	6804	5.7
2nd	5569	12.6
3rd	4713	20.8
4th	4086	27

LINE SPEED AND AMP. DRAW (1st layer of rope on the drum)

Line Pull (kg)	Line Speed (mpm)	Amp Draw (A) 12V/24V
No Load	6.9	60/50
1814	1.6	180/80
3629	1.2	280/190
4536	1.0	330/220
5443	0.9	385/260
6804	0.8	460/340



Bison Series

Bison 20 - Short Drum

FEATURES

- Built-in air clutch for rapid wire rope payout.
- Great for severe duty trailers, roll-back carriers, and commercial recovery application.
- Powerful and constant output hydraulic motor allows extreme duty performance.
- The new mechanical MDB (Multi-Disc Brake) and two ways counterbalance valve together to control and hold the load.



SPECIFICATIONS

Rated line pull:	9,070 kg / 20,000 lb (SAE J706 & EN 14492-1 rating)
Line speed (at 1st layer of rope) :	7.1 mpm at 60 l/min (23 fpm at 15.9 g/min)
Operation pressure:	175 bar / 2,540 psi
Max oil flow:	60 l/min (15.9 g/min)
Hydraulic motor:	155.7 cm ³ /rev (9.5 in ³ /rev)
Gear ratio:	2-stage planetary gear 30:1
Winch construction:	Cast housings with steel drum
Clutch (Freespooling):	Output shaft disengaged
Brake:	Multi-Disc Brake (MDB) patented and counterbalance valve
Rotation of winch:	Wire rope shall be under-wound orientation only
Drum barrel diameter:	146 mm (5.8")
Distance between flanges:	203 mm (8")
Mounting bolt pattern:	190.5 x 304.8 mm (7.5" x 12") ; 266.7 x 304.8 mm (10.5" x 12")
Wire rope recommended:	14 mm x 43 m (9/16" x 141') 16 mm x 30 m (5/8" x 98')
Winch weight:	135 kg / 298 lb

PERFORMANCE DATA

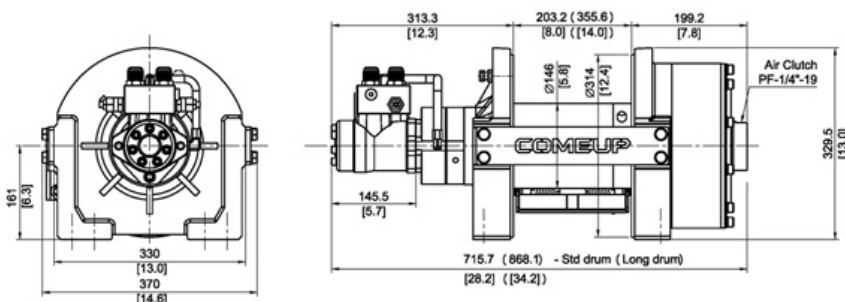
LINE PULL AND ROPE CAPACITY

Layer of Rope	Pull By Layer (kg)	Total rope on the drum (m)
1st	9070	7
2nd	7719	15
3rd	6719	24
4th	5948	34
5th	5335	43

LINE SPEED

(1st layer of rope on the drum)

Layer of Rope	Line Speed (mpm)
1st	7.1
2nd	8.3
3rd	9.5
4th	10.8
5th	12



Bison Series

Bison 20 - Long Drum

FEATURES

- Built-in air clutch for rapid wire rope payout.
- Great for severe duty trailers, roll-back carriers, and commercial recovery application.
- Powerful and constant output hydraulic motor allows extreme duty performance
- The new mechanical MDB (Multi-Disc Brake) and two ways counterbalance valve together to control and hold the load.



SPECIFICATIONS

Rated line pull:	9,070 kg / 20,000 lb (SAE J706 & EN 14492-1 rating)
Line speed (at 1st layer of rope) :	7.1 mpm at 60 l/min (23 fpm at 15.9 g/min)
Operation pressure:	175 bar / 2,540 psi
Max oil flow:	60 l/min (15.9 g/min)
Hydraulic motor:	155.7 cm ³ /rev (9.5 in ³ /rev)
Gear ratio:	2-stage planetary gear 30:1
Winch construction:	Cast housings with steel drum
Clutch (Freespooling):	Output shaft disengaged
Brake:	Multi-Disc Brake (MDB) patented and counterbalance valve
Rotation of winch:	Wire rope shall be under-wound orientation only
Drum barrel diameter:	146 mm (5.8")
Distance between flanges:	355.6 mm (14")
Mounting bolt pattern:	190.5 x 457.2 mm (7.5" x 18") ; 266.7 x 457.2 mm (10.5" x 18")
Wire rope recommended:	14 mm x 80 m (9/16" x 262') 16 mm x 55 m (5/8" x 180')
Winch weight:	150 kg / 331 lb

PERFORMANCE DATA

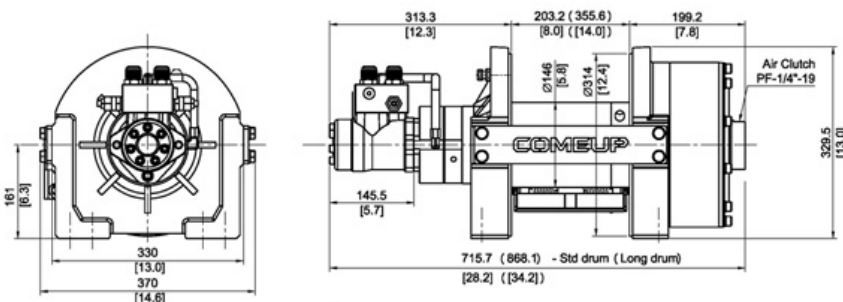
LINE PULL AND ROPE CAPACITY

Layer of Rope	Pull By Layer (kg)	Total rope on the drum (m)
1st	9070	12
2nd	7719	27
3rd	6719	43
4th	5948	62
5th	5335	80

LINE SPEED

(1st layer of rope on the drum)

Layer of Rope	Line Speed (mpm)
1st	7.1
2nd	8.3
3rd	9.5
4th	10.8
5th	12



Bison Series

Bison 30

FEATURES

- Built-in air clutch for rapid wire rope payout.
- Great for severe duty trailers, roll-back carriers, and commercial recovery application.
- Powerful and constant output hydraulic motor allows extreme duty performance
- The new mechanical MDB (Multi-Disc Brake) and two ways counterbalance valve together to control and hold the load.



SPECIFICATIONS

Rated line pull:	13,600 kg / 30,000 lb (SAE J706 rating)
Line speed (at 1st layer of rope) :	5 mpm at 60 l/min (16 fpm at 15.9 g/min)
Operation pressure:	175 bar / 2,540 psi
Max oil flow:	60 l/min (15.9 g/min)
Hydraulic motor:	155.7 cm ³ /rev (9.5 in ³ /rev)
Gear ratio:	2-stage planetary gear 41:1
Winch construction:	Cast housings with steel drum
Clutch (Freespooling):	Output shaft disengaged
Brake:	Multi-Disc Brake (MDB) patented and counterbalance valve
Rotation of winch:	Wire rope shall be under-wound orientation only
Drum barrel diameter:	152.5 mm (6")
Distance between flanges:	355.6 mm (14")
Mounting bolt pattern:	190.5 x 457.2 mm (7.5" x 18") 266.7 x 457.2 mm (10.5" x 18")
Wire rope recommended:	16 mm x 75 m (5/8" x 246')
Winch weight:	197 kg / 434 lb

PERFORMANCE DATA

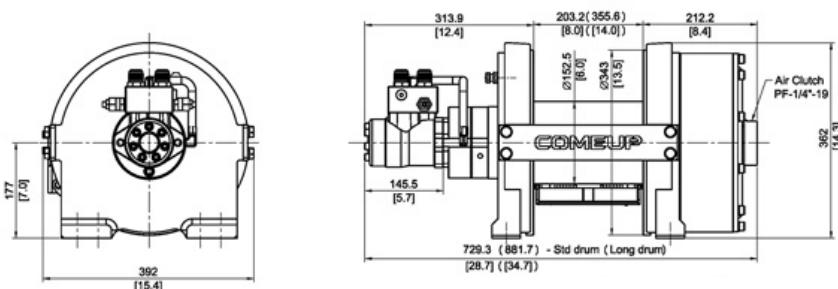
LINE PULL AND ROPE CAPACITY

Layer of Rope	Pull By Layer (kg)	Total rope on the drum (m)
1st	13600	11
2nd	11438	25
3rd	9864	40
4th	8670	58
5th	7735	75

LINE SPEED

(1st layer of rope on the drum)

Layer of Rope	Line Speed (mpm)
1st	5.0
2nd	5.9
3rd	6.9
4th	7.8
5th	8.8

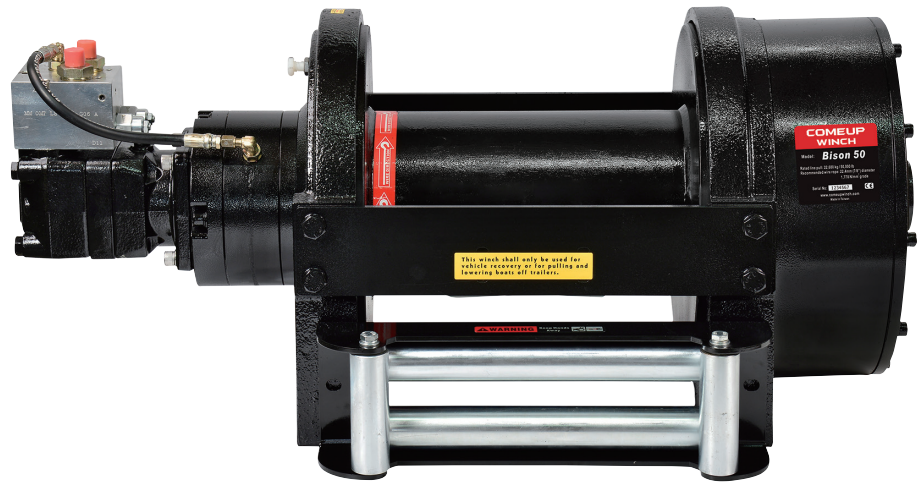


Bison Series

Bison 50

FEATURES

- Built-in air clutch for rapid wire rope payout.
- Great for severe duty trailers, roll-back carriers, and commercial recovery application.
- Powerful and constant output hydraulic motor allows extreme duty performance
- The new mechanical MDB (Multi-Disc Brake) and two ways counterbalance valve together to control and hold the load.



SPECIFICATIONS

Rated line pull:	22,680 kg / 50,000 lb (SAE J706 rating)
Line speed (at 1st layer of rope) :	5.7 mpm at 100 l/min (19 fpm at 26.5 g/min)
Operation pressure:	200 bar / 2,900 psi
Max oil flow:	100 l/min (26.5 g/min)
Hydraulic motor:	251.8 cm ³ /rev (15.4 in ³ /rev)
Gear ratio:	2-stage planetary gear 44:1
Winch construction:	Cast housings with steel drum
Clutch (Freespooling):	Output shaft disengaged
Brake:	Multi-Disc Brake (MDB) patented and counterbalance valve
Rotation of winch:	Wire rope shall be under-wound orientation only
Drum barrel diameter:	180 mm (7.1")
Distance between flanges:	368 mm (14.5")
Mounting bolt pattern:	240 x 453 mm (13.4" x 17.8") 340 x 453 mm (13.4" x 17.8")
Wire rope recommended:	22.4 mm x 48 m (7/8" x 157')
Winch weight:	375 kg / 827 lb

PERFORMANCE DATA

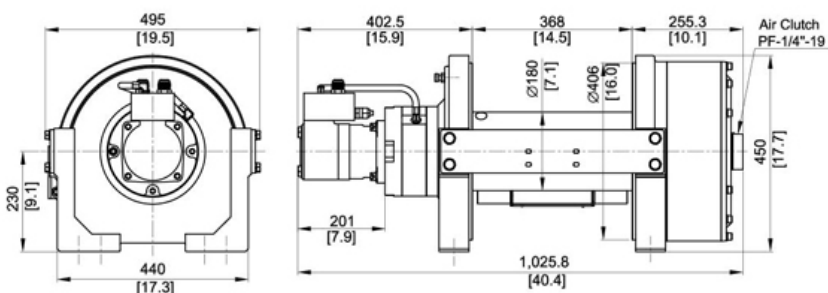
LINE PULL AND ROPE CAPACITY

Layer of Rope	Pull By Layer (kg)	Total rope on the drum (m)
1st	22680	10
2nd	18570	22
3rd	15720	36
4th	13630	48

LINE SPEED

(1st layer of rope on the drum)

Layer of Rope	Line Speed (mpm)
1st	5.7
2nd	7.0
3rd	8.3
4th	9.6



HV Series

HV-10

FEATURES

- Powered by a PTO/power take off unit driven pump
- Fast and variable recovery speeds for high work rate
- Turn clutch by ergonomic T-handle for rapid wire rope payout
- Drag brake and over center valve providing complete braking



SPECIFICATIONS

Rated line pull	4,535 kg / 10,000 lb (SAE J706 rating) 4,300 kg (EN 14492-1 rating)
Line speed (at 1st layer of rope) :	14 mpm at 60 l/min (46 fpm at 15.9 g/min)
Operation pressure:	150 bar / 2,175 psi
Max oil flow:	60 l/min (15.9 g/min)
Hydraulic motor:	97.3 cm ³ /rev (5.9 in ³ /rev)
Gear ratio:	2-stage planetary gear 16:1
Winch construction:	Aluminum die cast housings with steel drum
Clutch (Freespooling):	Rotating ring gear
Brake:	Spring applied drag brake together with over-center valve
Rotation of winch:	Wire rope shall be under-wound orientation only
Drum barrel diameter:	102 mm (4")
Distance between flanges:	253 mm (10")
Mounting bolt pattern:	291.6 x 171.2 mm (11.5" x 6.7") 374.2 x 114 mm (14.7" x 4.5")
Wire rope recommended:	11 mm x 27 m (7/16" x 89')
Winch weight:	37 kg / 81.4 lb

PERFORMANCE DATA

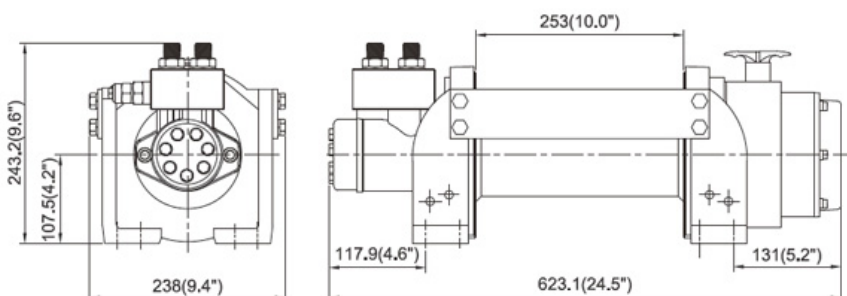
LINE PULL AND ROPE CAPACITY

Layer of Rope	Pull By Layer (kg)	Total rope on the drum (m)
1st	4535	8.0
2nd	3769	17.5
3rd	3264	27.0

LINE SPEED

(1st layer of rope on the drum)

Layer of Rope	Line Speed (mpm)
1st	14.0
2nd	16.3
3rd	19.0



HV Series HV-15

FEATURES

- Powered by a PTO/power take off unit driven pump
- Fast and variable recovery speeds for high work rate
- Turn clutch by ergonomic T-handle for rapid wire rope payout
- Drag brake and over center valve providing complete braking



SPECIFICATIONS

Rated line pull:	6,800 kg / 15,000 lb (EN 14492-1 rating & SAE J706 rating)
Line speed (at 1st layer of rope) :	9 mpm at 60 l/min (30 fpm at 15.9 g/min)
Operation pressure:	150 bar / 2,175 psi
Max oil flow:	60 l/min (15.9 g/min)
Hydraulic motor:	156 cm ³ /rev (9.5 in ³ /rev)
Gear ratio:	2-stage planetary gear 19.4:1
Winch construction:	Aluminum die cast housings with steel drum
Clutch (Freespooling):	Rotating ring gear
Brake:	Spring applied drag brake together with over-center valve
Rotation of winch:	Wire rope shall be under-wound orientation only
Drum barrel diameter:	127 mm (5")
Distance between flanges:	255 mm (10")
Mounting bolt pattern:	303.5 x 114.3 mm (12" x 4.5") 368.5 x 171.2 mm (14.5" x 6.7")
Wire rope recommended:	14 mm x 27 m (9/16" x 89')
Winch weight:	72 kg / 158.7 lb

PERFORMANCE DATA

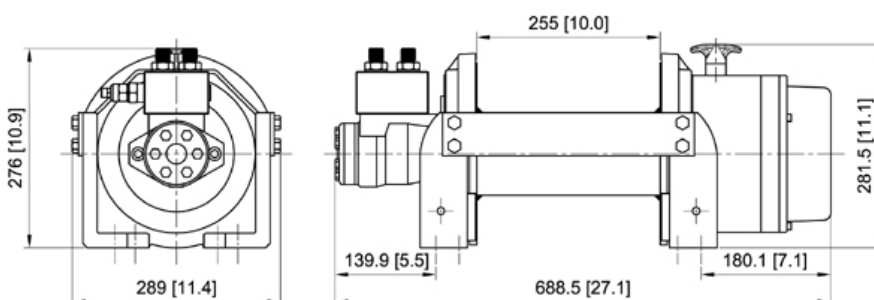
LINE PULL AND ROPE CAPACITY

Layer of Rope	Pull By Layer (kg)	Total rope on the drum (m)
1st	6800	7.8
2nd	5637	17.3
3rd	4867	27.0

LINE SPEED

(1st layer of rope on the drum)

Layer of Rope	Line Speed (mpm)
1st	9.0
2nd	10.5
3rd	12.3



COMEUP Winch Accessories



ROLLER FAIRLEADS (in order from left to right, as above)

Stock Code	Name	Size	Suits
439066	Roller Fairlead	210 mm throat	DV-12/15/18
820041	Roller Fairlead	245 mm throat	HV-15
439060	Roller Fairlead	330 mm throat	Bison 20/30 Long Drum
820040	Roller Fairlead	330 mm throat	Bison 20/30 Long Drum



SNATCH BLOCKS (in order from left to right, as above)

Stock Code	Name	Max load
439071	Snatch Block	max. load 5,000 kg / 11,000 lb
439070	Snatch Block	max. load 10,000 kg / 22,000 lb
439072	Snatch Block	max. load 13,610 kg / 30,000 lb



REMOTE

Stock Code	439126
Name	Winch Remote
Type	Protective thermal sensor LED
Suits	DV-15



CLUTCH RELEASE KIT

Stock Code	821526
Name	Clutch Release Kit
Type	Manual
Suits	HV-15



Mikes Transport Warehouse

07 850 8333

mtwadmin@modtrans.co.nz

www.mtw.net.nz

6624 Te Rapa Rd, Te Rapa Park, Hamilton